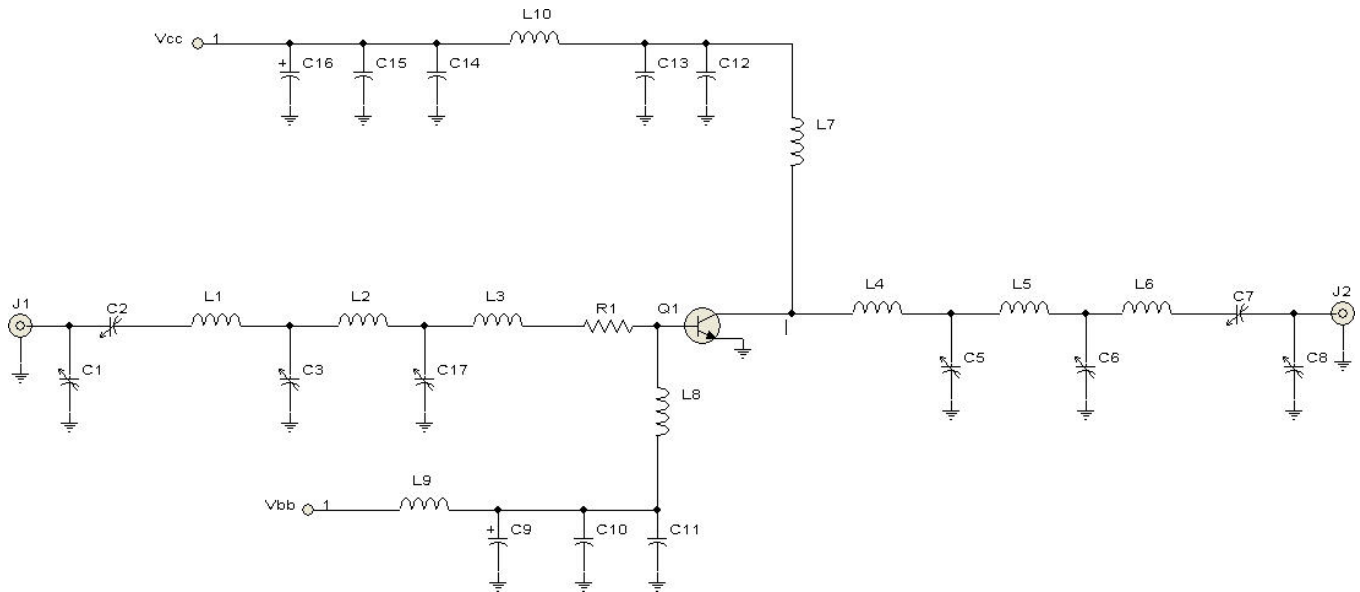


## TEST CIRCUIT - CLASS AB, 30 MHz



C1	Arco 429	L1	5 Turns, diameter 0.4", #16 AWG wire, length 0.59"
C2	Arco 4615	L2	2 Turns, diameter 0.475", #12 AWG wire, length 0.315"
C3, C6	Arco 4213	L3	1 Turn, diameter 0.475", #12 AWG wire, length 0.2"
C4, C5, C7	Arco 4611	L4	Hair pin copper foil 0.78" x 2.16"
C8	Arco 427	L5	1 Turn, diameter 0.475", #12 AWG wire, length 0.315"
C9	470 $\mu$ F, 40V	L6	5 Turns, diameter 0.315", #16 AWG wire, length 0.7"
C10, C14	0.1 $\mu$ F, 63V	L7	3 Turns, diameter 0.315", #16 AWG wire, length 0.59"
C11, C13, C15	1000 pF		
C12	0.01 $\mu$ F	R1	0.25 $\Omega$ *
C16	200 $\mu$ F, 63V		
		<b>*4 Resistors 1<math>\Omega</math> 0.5W in parallel</b>	